



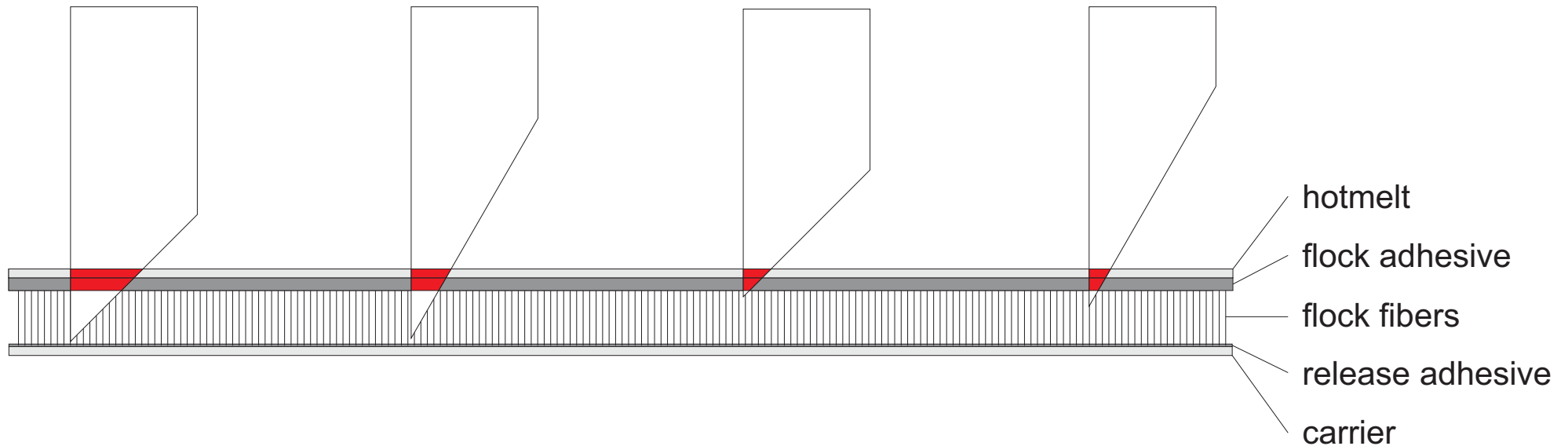
# VelCut - Blade Settings

45° blade  
too deep

60° blade  
too deep

45° blade  
correct

60° blade  
correct





# Test for Coated Textiles

water penetrates the textile

water stays on the textile

water builds an easy moving drop

water builds a very easy moving round drop



FlexCut / Tatoo without any problem

FlexCut / Tatoo may still work

You need FlexCut / Tatoo Nylon

Nothing will work



[www.rexxscreendigital.co.za](http://www.rexxscreendigital.co.za)  
[info@rexxscreendigital.co.za](mailto:info@rexxscreendigital.co.za)  
**+27 (0)21 510 5665**

Proud distributor of all SEF heat transfer films

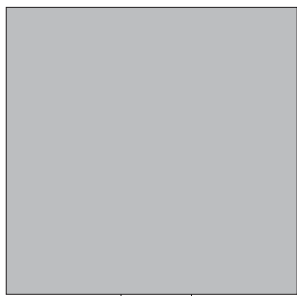
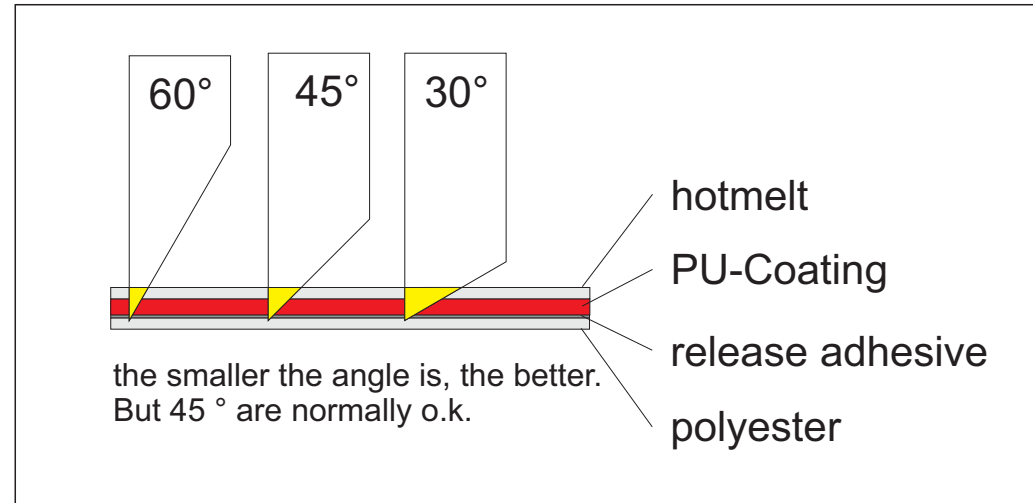


**REXX-T**  
Premium quality combed cotton garments





# Cutting FlexCut



knife should turn easily,  
but should not move.  
Otherwise there stay some  
uncutted ligament.

